

FM-02
FM-03

Woltman Type Water Meter

Salient Features:

- ISO 4064 Class-B
- Extra Dry Dial
- Hermetically sealed register ensures that all internal parts are clean and prevents fogging throughout the entire lifetime of the meter.
- Graded cast iron body to pass the strongest resistance tests in both static and dynamic conditions.
- High quality engineered materials for hydraulics and register pivot ensure high reliability and durability
- Shock –resistant material for register and closure.
- High performance magnetic transmission ensures no part of the register is in contact with water
- Interchangeable spare parts for easy online maintenance
- High sensitivity, low pressure loss
- Meters with pulse output available on request.
- Available for both cold and hot water.
- 100% of the products are calibrated and all calibrations results can be provided on request.

Conformity to Standards and Codes:

Design: ISO 4064

Meter Testing: ISO 4064 /OIML R-49

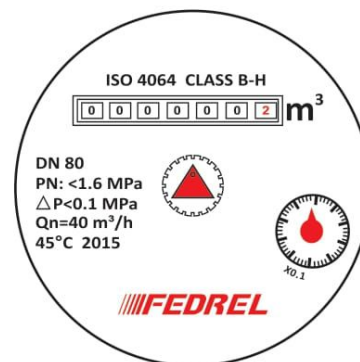
Size Range: 40mm(1-1/2") to 500mm(20")

Working Temperature Ratings :

- For cold < 45°C
- For hot < 90°C

Applications:

- Industries use.
- Agriculture applications.
- Water supply networks.

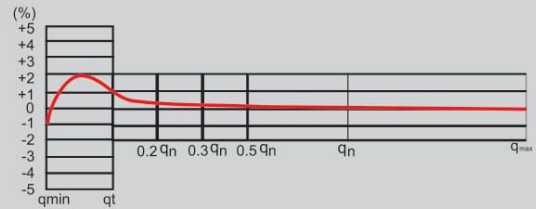


FEDREL

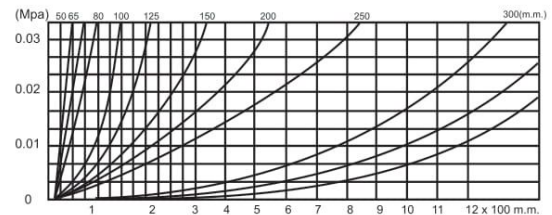
METROLOGICAL DATA

| Meter Size (mm) | Class | Q4 m ³ /h | Q3 m ³ /h | Q2 m ³ /h | Q1 m ³ /h | Min. Reading | Max. Reading |
|-----------------|-------|----------------------|----------------------|----------------------|----------------------|--------------|--------------|
| 40 | B | 20 | 10 | 2 | 0.3 | 0.0001 | 99999.9999 |
| 50 | B | 30 | 15 | 3 | 0.45 | 0.01 | 999999 |
| 65 | B | 50 | 25 | 5 | 0.75 | 0.01 | 999999 |
| 80 | B | 80 | 40 | 8 | 1.2 | 0.01 | 999999 |
| 100 | B | 120 | 60 | 12 | 1.8 | 0.01 | 999999 |
| 125 | B | 200 | 100 | 20 | 3 | 0.01 | 999999 |
| 150 | B | 300 | 150 | 30 | 4.5 | 0.1 | 9999999 |
| 200 | B | 500 | 250 | 50 | 7.5 | 0.1 | 9999999 |
| 250 | B | 800 | 400 | 80 | 12 | 0.1 | 9999999 |
| 300 | B | 1200 | 600 | 120 | 18 | 1 | 9999999 |
| 400 | B | 2000 | 1000 | 200 | 30 | 1 | 9999999 |
| 500 | B | 3000 | 1500 | 300 | 45 | 1 | 99999999 |

ACCURACY CURVE

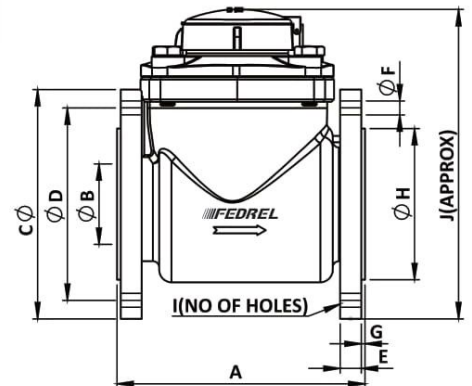


Head Loss Curve



DIMENSIONS

| Size | A | B | C | D | E | F | G | H | I | J | Weight (kg) |
|------|-----|-----|-----|-----|----|----|---|-----|----|-----|-------------|
| 40 | 245 | 40 | 150 | 110 | 13 | 18 | 3 | 88 | 4 | 190 | 7 |
| 50 | 200 | 50 | 165 | 125 | 17 | 18 | 3 | 102 | 4 | 250 | 12 |
| 65 | 200 | 65 | 185 | 145 | 17 | 18 | 3 | 122 | 4 | 255 | 13 |
| 80 | 225 | 80 | 200 | 160 | 17 | 18 | 3 | 138 | 8 | 265 | 15 |
| 100 | 250 | 100 | 220 | 180 | 19 | 18 | 3 | 158 | 8 | 275 | 19 |
| 125 | 250 | 125 | 250 | 210 | 19 | 18 | 3 | 188 | 8 | 285 | 22 |
| 150 | 300 | 150 | 285 | 240 | 21 | 22 | 3 | 212 | 8 | 310 | 28 |
| 200 | 350 | 200 | 340 | 295 | 23 | 22 | 3 | 268 | 12 | 370 | 42 |
| 250 | 400 | 250 | 405 | 355 | 26 | 26 | 3 | 320 | 12 | 420 | 80 |
| 300 | 450 | 300 | 460 | 410 | 28 | 26 | 4 | 378 | 12 | 660 | 115 |
| 400 | 600 | 400 | 580 | 525 | 34 | 30 | 4 | 490 | 16 | 700 | 187 |
| 500 | 800 | 500 | 715 | 650 | 42 | 33 | 4 | 610 | 20 | 740 | 256 |



WARRANTY

All meters are warranted against any manufacturing defect for a period of 12 months from date of supply, provided the meter has not been misused, damaged, installed for services it is not recommended or the seal has been tampered with. The company shall be liable to furnish part/ parts thereof or full water meter as the company may deem fit.

All Dimensions are in mm unless otherwise specified.

V.A. VALVES

(FLOW METERING DIVISION)

ISO 9001-2008 Certified

Regd. Office & Works: Udyog Nagar, Gadaipur, Jalandhar City -144 004

Due to continuous development program, design and data in this leaflet are subject to change without prior notice.

Authorized Stockist

Our associates:



PIONEERING FLUID CONTROLS